

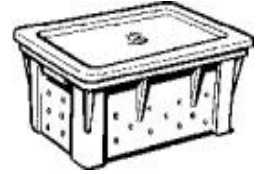
Homemade Worm Bins

How Big?

The rule of thumb for bin size is two square feet of surface area per person, or one square foot of surface area per pound of food wastes generated each week. Vegetarians often find they need a bin with four square feet of surface area per person.

Plastic Storage Tote Bin

Plastic storage bins make great worm bins! Ultraviolet light is toxic to worms, so bins should be made from an opaque material. Bins should be 8 to 14 inches deep and have a snug fitting lid to keep out rodents. Drill 1/4 inch holes in the bottom and sides, 5 to 7 inches apart, to provide ventilation and drainage. If you are using a utility knife to make holes, cut out triangles 1/4 inch or smaller.



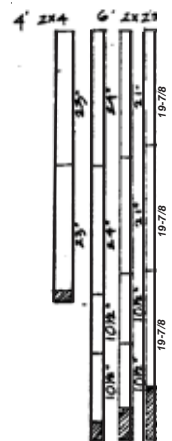
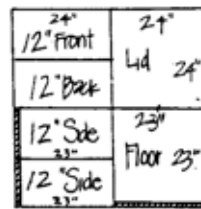
Plastic bins keep compost moist. Add shredded paper occasionally to keep it from getting too moist.

2-Person Wooden Worm Bin

- Basic carpentry skills needed.
- Doubles as a seat!
- Breathes well - may need occasional moistening.
- \$20 - \$30 for materials.

Materials

- (1) 4'x4' piece 1/2" exterior grade plywood
- (3) 6' pieces 2x2" wood
- (1) 4' piece 2x4" wood
- 1 pound 4 penny galvanized nails
- 16" light chain with (2) 1/2" wood screws
- (2) 2" hinges, with 3/4" wood screws
- Waterproof wood glue



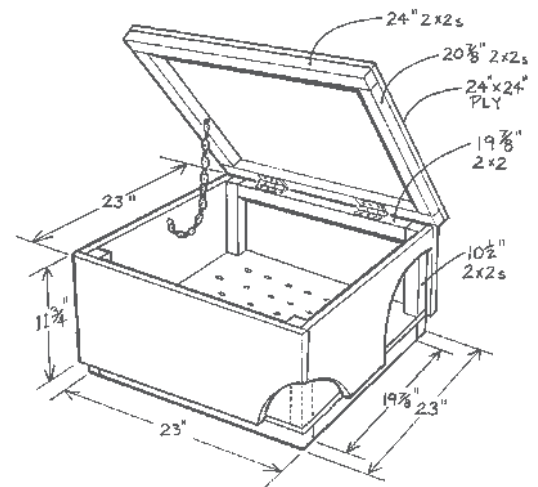
Tools: Power saw (use eye protection) or hand saw, hammer, measuring tape, pencil, square, drill with 1/4" and 3/32" bits, sandpaper.

Assembly: Glue all pieces before nailing. To improve durability, assemble with screws instead of nails.

Base: Nail the two 23" 2x4s and two 19-7/8" 2x2s to bottom of 23x23" plywood as drawn. Drill several 1/4" holes for drainage.

Side, Front and Back Walls: Nail the four 2x2 uprights to the two side walls along the 11-3/4" edge, with one end of each 2x2 flush with the top edge of the walls. Nail a 19-7/8" 2x2 hinge support to the top edge of the back wall piece, leaving 1-1/2" on each side for 2x2 uprights. Assemble box by nailing the 1-1/4" overhang of the side walls to the 2x2s on the base as drawn. Then nail the front and back walls to the 2x2 uprights and to the 2x4s on the base as drawn. Be sure the hinge support is at the top of the bin.

Lid: Nail lid together as drawn. Attach to box with hinges, making sure to pre-drill screw holes into the 2x2s, and position hinges as shown. Attach chain with 1/2" wood screws so lid can rest in an opened position.



Learn more about composting and order publications online at
www.compostsantacruzcounty.org

Questions about Composting with Worms? Call the Worm Doctor, (831) 427-3452



The Home Composting Program is sponsored by the Santa Cruz County Board of Supervisors and produced by Santa Cruz County Department of Public Works Recycling and Solid Waste Services

